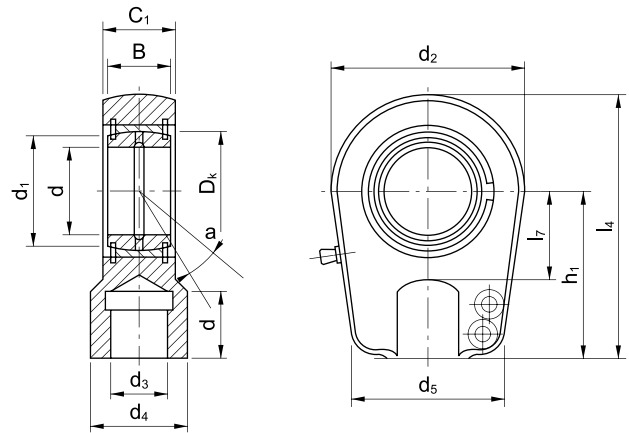


- 軸承附有帶銷口螺紋的伸出杆，螺紋有左、右旋之分。
Bearings with a stretching rod, with female thread clamping arrangement, the thread is right or left-hand.
- GIHR-K...DO是由向心關節軸GE...ES和杆端體組裝而成。
It is made up if a spherical plain radial bearing of type GE...E or GE...ES and body.
The type GIHR...DO is made up of a spherical plain radial bearing of type GE...ES and body.
- 帶有潤滑孔油杯。
The housing with a lubrication hole or a grease nipple.



軸承型號 Bearings number	尺寸 Dimensions (mm)														負荷KN Load ratings		重量 Weight (kg)
	d	d ₃	d ₄	l ₃ min	B	C ₁	d ₂ max	l ₇ min	h ₁	l ₄	d ₅	d ₁	d _k	a° ≈	動 C	靜 C ₀	
GIHR-K 20DO	20	M16×1.5	25	17	16	19	56	25	50	80	46	24.1	29	9	30.0	72.0	0.43
GIHR-K 25DO	25	M16×1.5	25	17	20	23	56	28	50	80	46	29.3	35.5	7	48.0	72.0	0.48
GIHR-K 30DO	30	M22×1.5	32	23	22	28	64	30	60	94	50	34.2	40.7	6	62.0	106	0.74
GIHR-K 35DO	35	M28×1.5	40	29	25	30	78	38	70	112	66	39.7	47	6	80.0	153	1.2
GIHR-K 40DO	40	M35×1.5	49	36	28	35	94	45	85	135	76	45	53	7	100	250	2.0
GIHR-K 50DO	50	M45×1.5	61	46	35	40	116	55	105	168	90	55.9	60	6	156	365	3.8
GIHR-K 60DO	60	M58×1.5	75	59	44	50	130	65	130	200	120	66.8	66	6	245	400	5.4
GIHR-K 70DO	70	M65×1.5	86	66	49	55	154	75	150	237	130	77.8	80	6	315	540	8.5
GIHR-K 80DO	80	M80×2	105	81	55	60	176	80	170	265	160	89.4	92	6	400	670	12.0
GIHR-K 90DO	90	M100×2	124	101	60	65	206	90	210	323	180	98	105	5	490	980	21.5
GIHR-K 100DO	100	M110×2	138	111	70	70	230	105	235	360	200	109.5	115	7	610	1120	27.5
GIHR-K 110DO	110	M120×3	152	125	70	80	265	115	265	407.5	220	121.2	130	6	655	1700	40.5
GIHR-K 120DO	120	M130×3	172	135	85	90	340	140	310	490	257	135.5	160	6	950	2900	76

若是左旋螺紋，軸承型號和螺紋標記需加“L”和“左”，例如：GIHL-K30DO M22×1.5左-6H
For left-hand thread, suffix is added to bearings number and thread sign, e.g. GIHL-K30DO M22×1.5L-6H